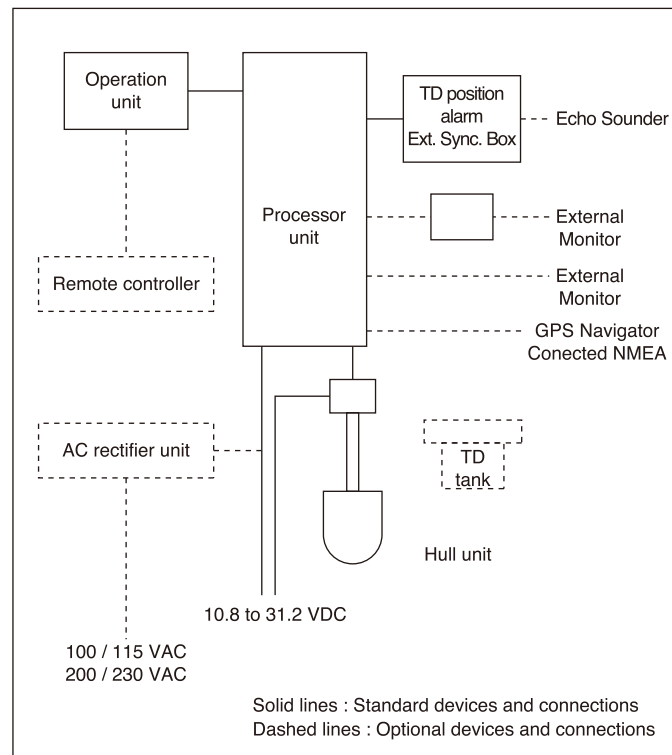


SPECIFICATIONS

Model	KDS-6000BB
Output power (RMS)	1.5 kW
Output frequency	130 to 210 kHz (0.1 kHz step)
Tilt angle	+5° to -90° (1°step)
Beam angle	8° to 12°
TD stroke	150 to 380 mm (Recommended value 150 mm)
Display size and type	Any monitor with VGA resolution (Owner supplied)
Basic ranges	10 to 1000 (m), 30 to 3000 (ft), 10 to 600 (fm), 10 to 700 (l.fm) (8 ranges can be set to users choice)
Range units	m, ft, fm, l.fm
Scanning sector	5°step: 5°, 25°, 45°, 85°, 125°, 165°, 205°, 360° 10°step: 10°, 30°, 50°, 90°, 130°, 170°, 210°, 360° 15°step: 15°, 45°, 75°, 105°, 135°, 165°, 225°, 360° 20°step: 20°, 60°, 100°, 140°, 180°, 220°, 260°, 360°
Bottom scan mode	3°step: 3°, 27°, 45°, 63°, 93°, 117°, 147°, 177° 5°step: 5°, 25°, 45°, 65°, 95°, 115°, 145°, 175°
360° Scanning time	20 40 60 80 100 120 160 180 200 240 400
Scanning range (m)	6.3 8 10 11.8 14 15.8 19.5 21.6 23.5 27.5 43.3
Scanning time (sec.) 5° step	3.7 4.7 5.6 6.5 7.6 8.6 10.6 11.5 12.5 14.4 22.4
Scanning time (sec.) 10° step	3.3 3.7 4.3 4.9 5.7 6.4 7.9 8.2 8.9 10.3 15.7
Scanning time (sec.) 15° step	3.3 3.4 3.8 4.2 4.8 5.2 6.4 6.6 7.3 8.1 12.2
Scanning time (sec.) 20° step	
Bearing center	1°step
Presentation modes	Sonar, Off-center, Bottom scan, Echo sounder
Off-Center	Fore, Back, Left, Right
Target lock	Reverse, Horizontal, Horizontal + vertical, Marker + Horizontal, Marker + vertical
Presentation colors	8 colors, 16 colors
Functions	TVG, Color rejection, Dynamic range, Compass display, Pulse width, Output power control, Noise rejection, A-scope, CM key, Frequency bandwidth, Image correction, Bearing display, TD auto up
Language	English, Japanese, Korean, Spanish, Thai, Traditional Chinese, Vietnamese
Input data format and sentences	NMEA0183 GGA, GLL, HDG, HDM, HDT, RMC, VTG, ZDA
Output data format and sentences	NMEA0183 DBT, DPT, GGA, GLL, MTW, RMC, TLL, VTG, ZDA
NMEA ports	Total 1 : input / output
Power supply Processor unit	10.8 to 31.2 VDC
Hull unit	10.8 to 31.2 VDC
Power consumption Processor unit	70 W or less (24 VDC)
Hull unit	70 W or less (24 VDC)
Operating temperature	-15 °C to +55 °C
Water protection	-

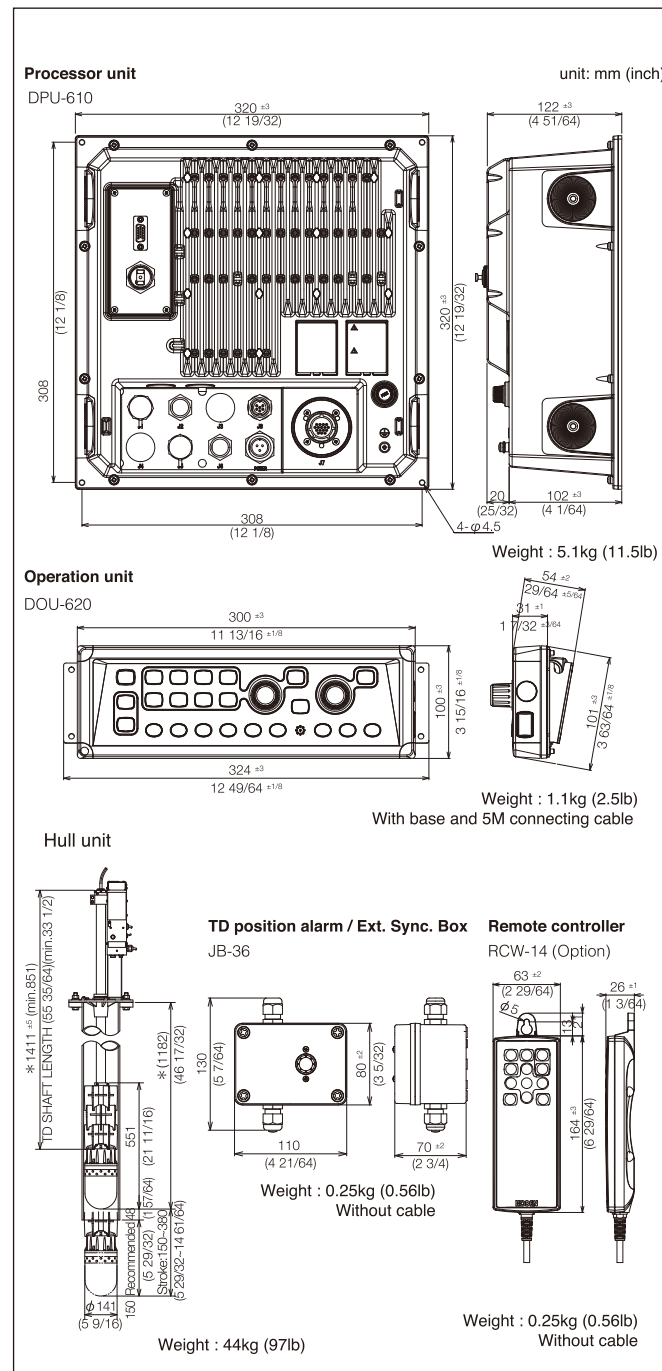
CONNECTIONS



EQUIPMENT LIST

Standard equipment	Processor unit	1
	Operation unit	1
	Hull unit	1
	Accessories for Processor unit	1
	Installation materials for Hull unit	1
	TD position alarm	1
	DC power cable	1
	Operation manual, Installation manual, Quick Reference	1
Options	Remote controller, PCV TD tank, FRP TD tank, Shaft guide for FRP tank AC rectifier unit, Connecting cable, 17 inch LCD monitor	

DIMENSIONS AND WEIGHT



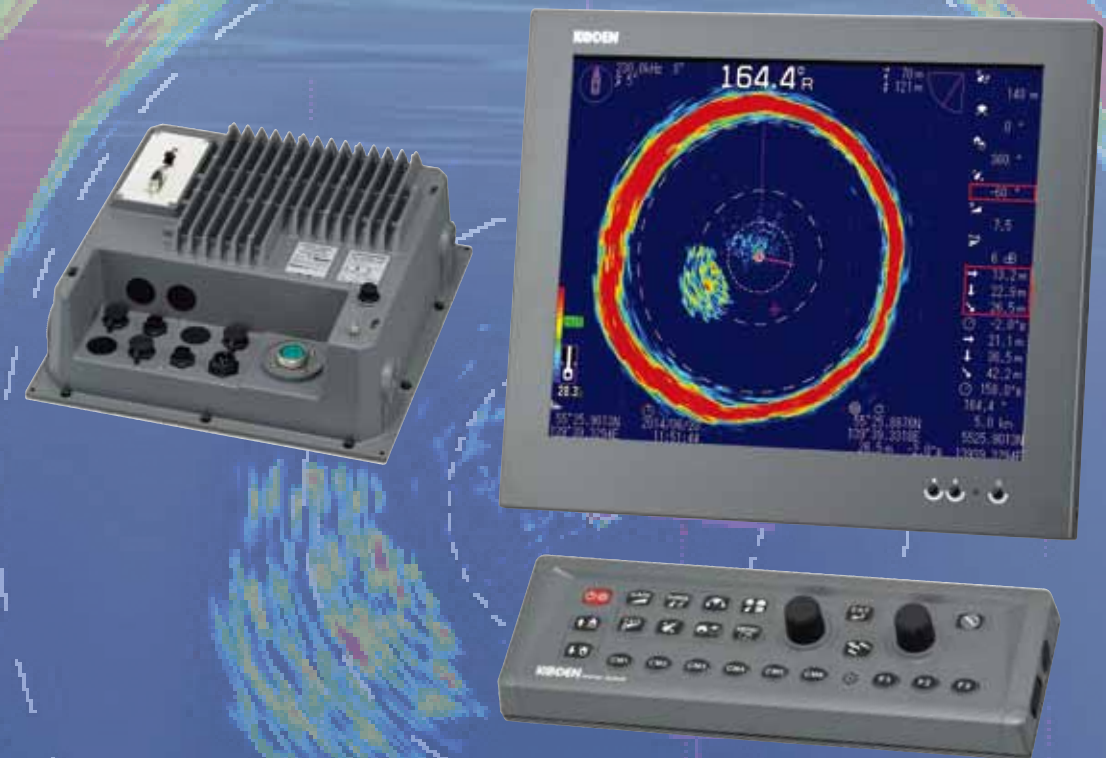
* Design and specifications are subject to change without notice.

Digital Sonar KDS-6000BB

(((Broadband)))

The Next Big Thing is Here
Frequency Hopping Broadband Sonar

17 inch LCD Monitor (Option)



Features

- ▶ Change frequency on the go with our advanced Broadband Technology
- ▶ Massive improvement in scan speed, making detection of fish schools much faster
- ▶ Clearest possible images with our digital signal processing
- ▶ All setup and user settings changed instantly by utilizing Conditional Memory function
- ▶ Black Box sonar with 17 inch LCD Monitor available (Option)



For details, please contact:

To ensure proper and safe use of the equipment, please carefully read and follow the instructions in the Operation Manual.

Digital Sonar

KDS-6000BB

● Advanced Broadband Technology

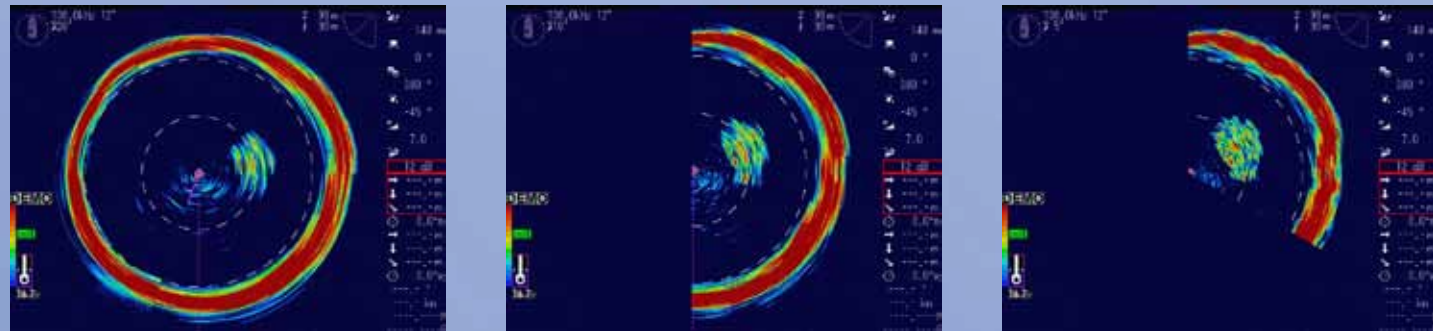
KDS-6000BB is world first Broadband searchlight sonar. With the wide band transducer equipped as standard, the most suitable output frequency can be selected in 0.1 kHz step depending on the fishing method and the target species from closer range to longer range. Selection of frequency is as easy and quick as tuning a radio. Flexible selection of frequency enables the user to stay away from interference with the sounders on the other vessels.

● Clearest possible images with our digital signal processing

Both of high resolution in closer range and noise reduction performance in longer range are materialized at high level with newly-developed digital signal processing, KDP V.

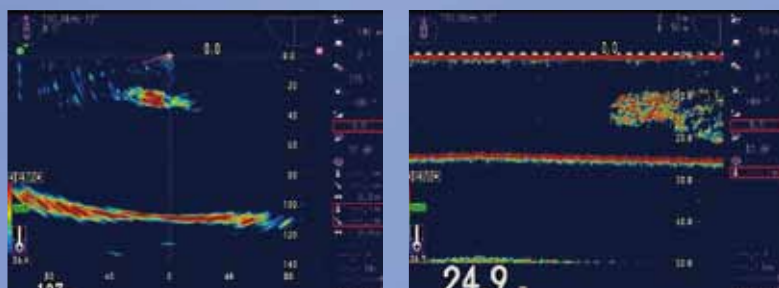
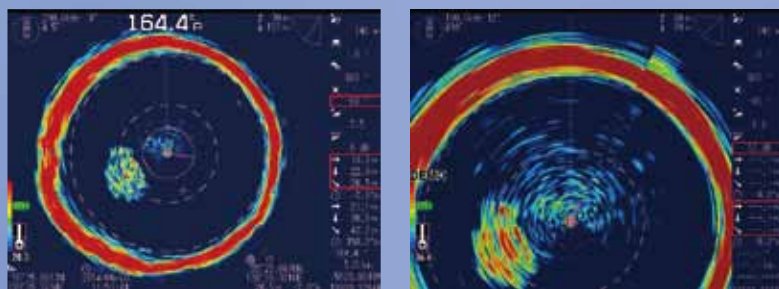
● Massive improvement in scan speed

Scanning speed is remarkably increased by adding 15° and 20° in scanning sector angle steps. It can detect surrounding fish schools quickly.



Comparison of scanning area of the same time period Range:140m

● Four different presentation modes



- Sonar mode for searching around the ship.
- Off-center mode for showing more information of ahead.
- Bottom scan mode for displaying reflected echo from underwater and seabed in a cross-section image.
- Echo sounder mode for displaying image like fishfinder.

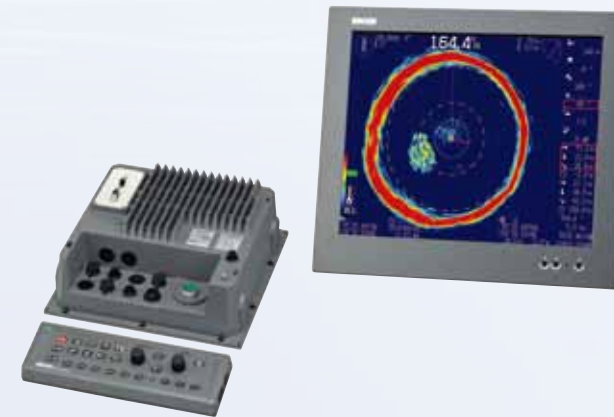
● CM keys



Six of CM keys

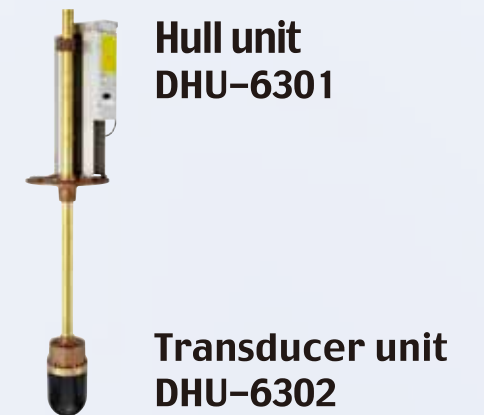
Six of CM (Condition Memory) keys offer the user to preset all the current settings and recall them instantly. It is like six sonars in one unit.

● Black box type



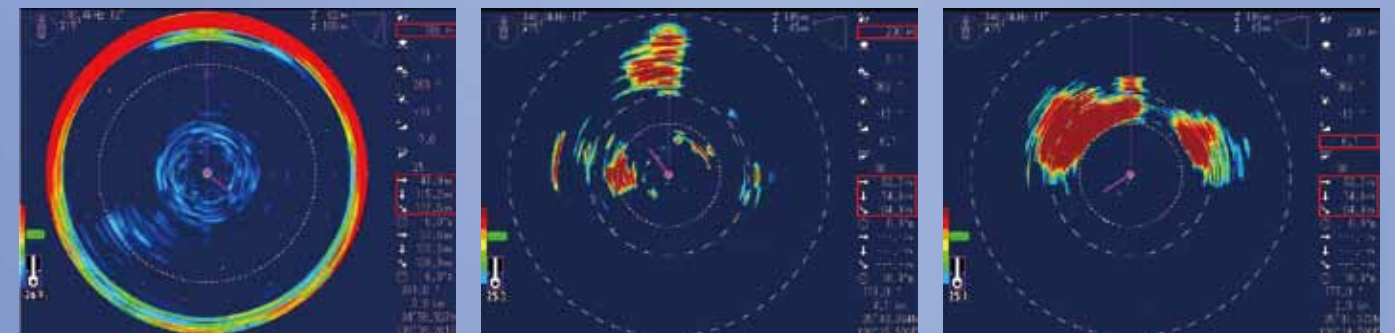
KDS-6000BB comes in black box. The user can select a monitor from the market or the optional 17 inch LCD monitor

● Space-saving Hull unit



Newly-designed compact Hull unit allows for saving the space on your vessel.

● Example of image



Spear squids at the sea bottom at 130.4 kHz

Tunas attacking school of sardines at 140.0 kHz

Pilchards at 140.0 kHz